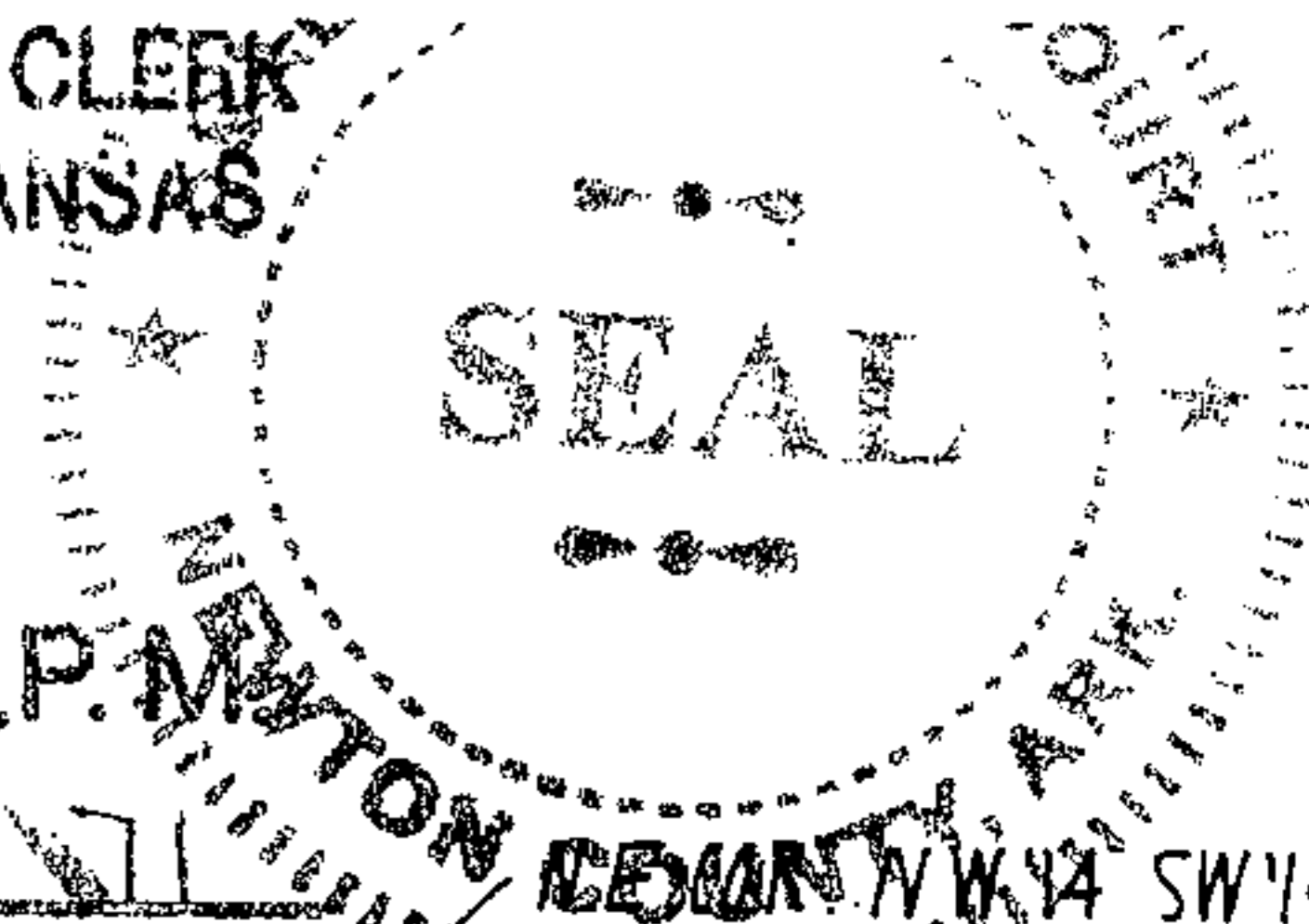
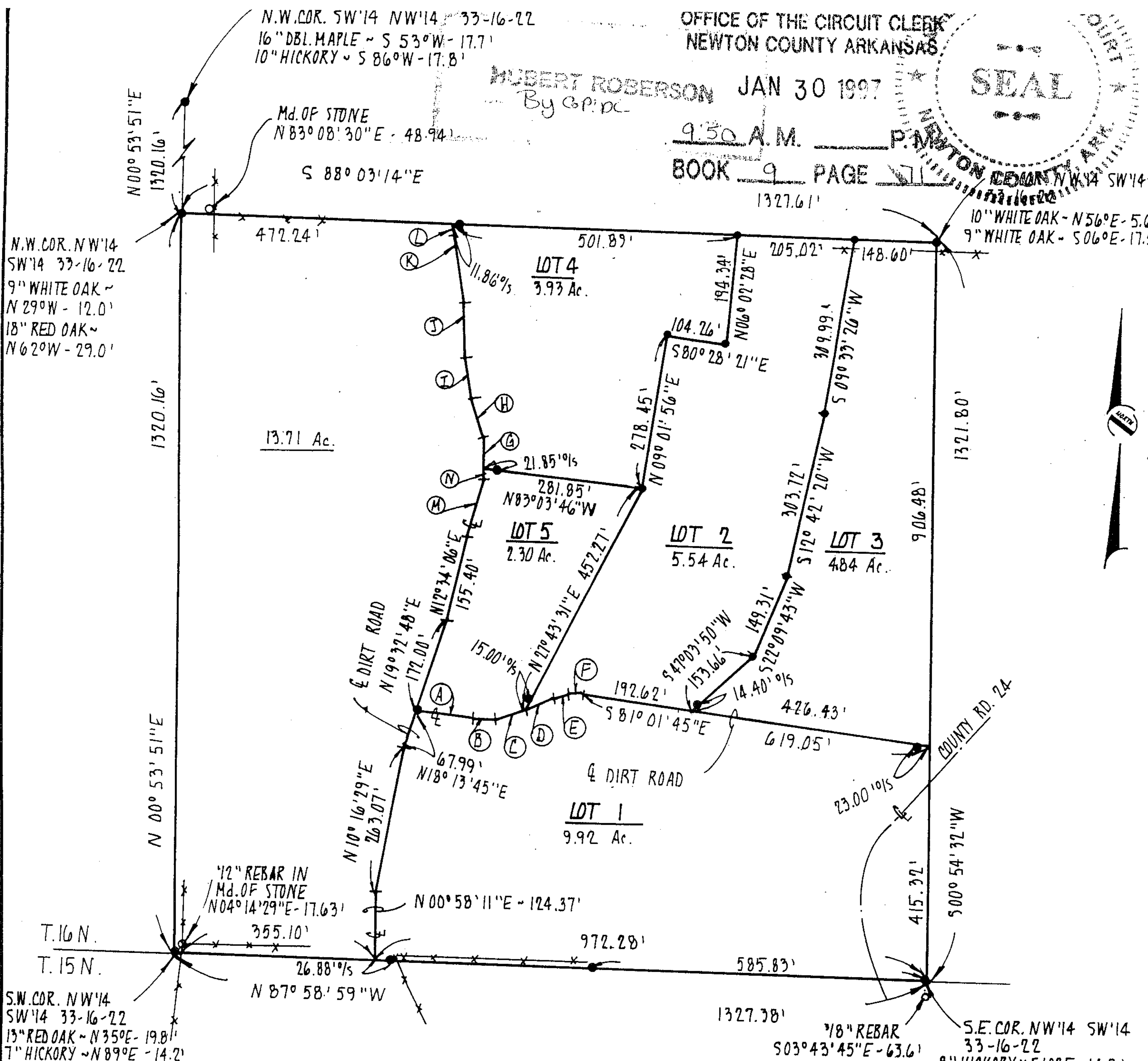


HUBERT ROBERSON JAN 30 1997
 By G.P.R.



9:50 A.M. P. MONTGOMERY
 BOOK 9 PAGE 211

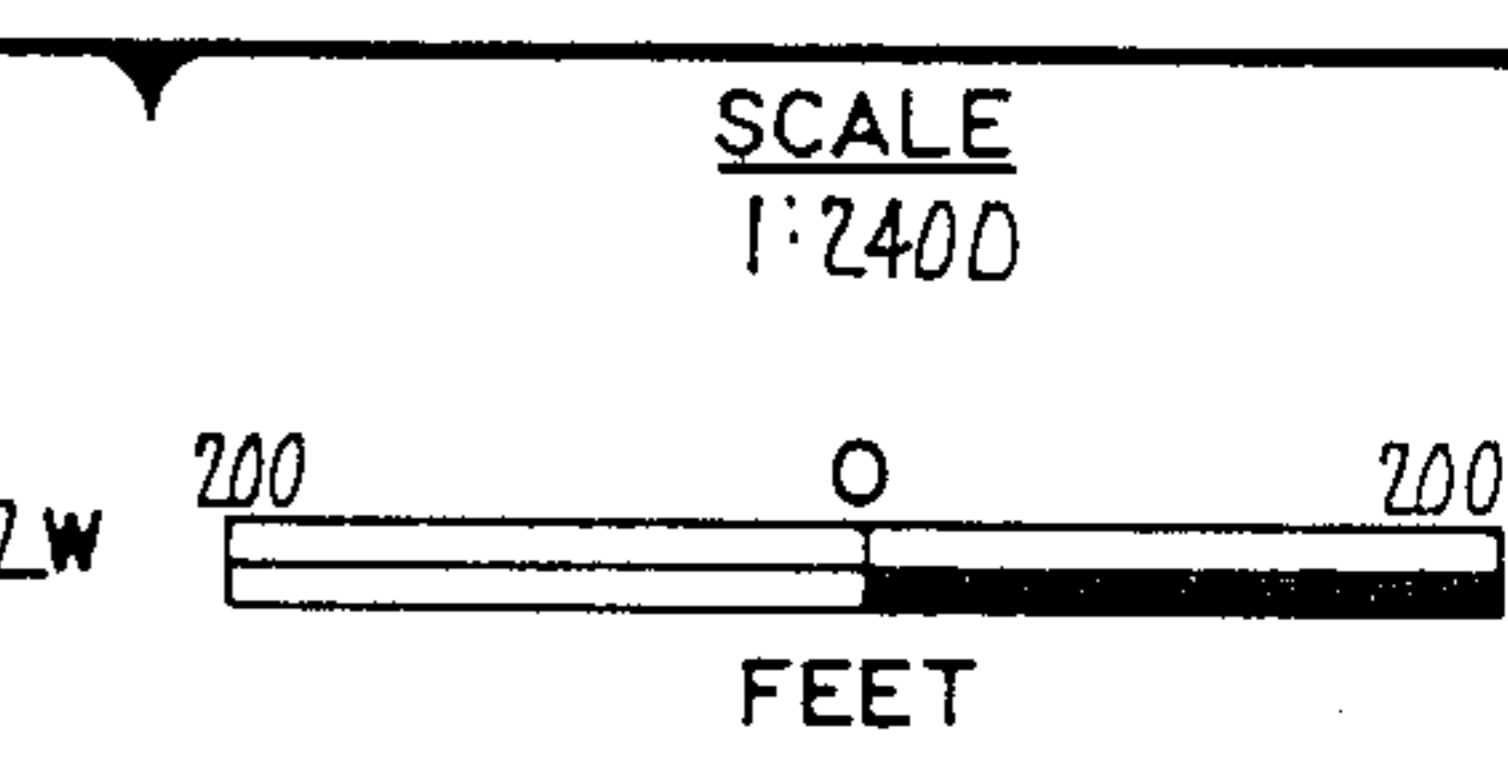
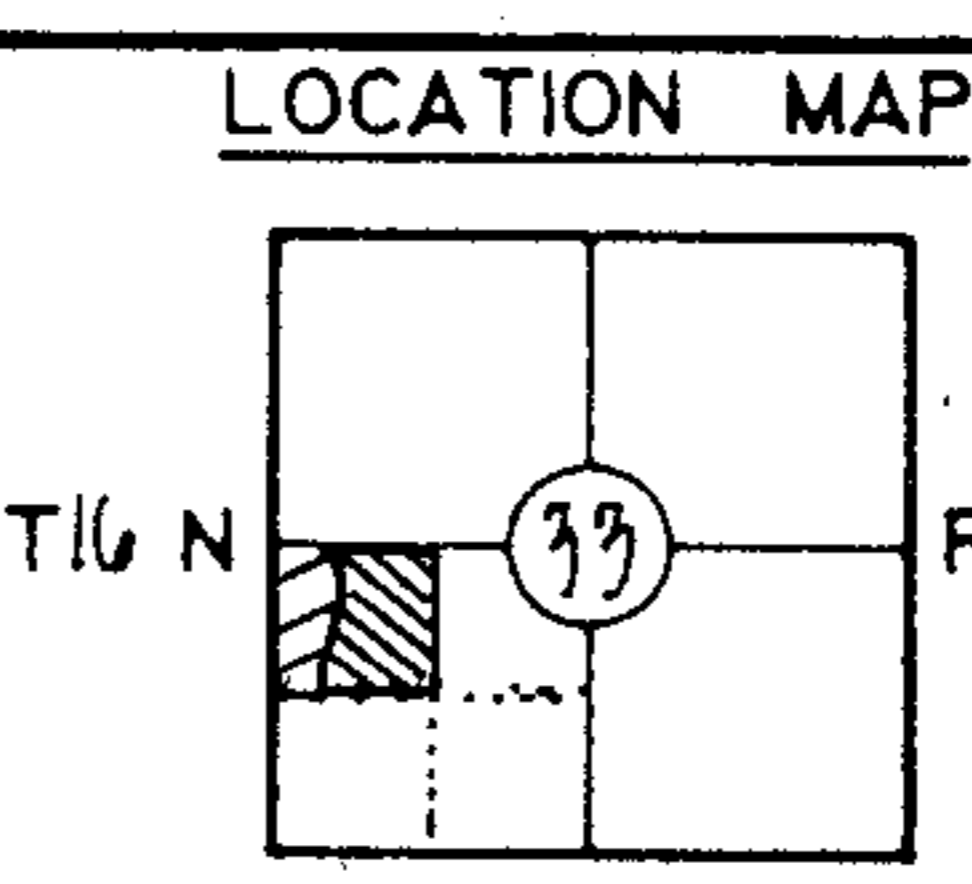


- (A) S 81° 29' 12" E ~ 109.60'
- (B) N 87° 32' 25" E ~ 34.91'
- (C) N 72° 43' 17" E ~ 50.55'
- (D) N 67° 24' 34" E ~ 59.81'
- (E) N 74° 16' 32" E ~ 24.62'
- (F) S 89° 40' 59" E ~ 26.03'
- (G) N 01° 42' 33" W ~ 55.31'
- (H) N 15° 00' 01" W ~ 70.68'
- (I) N 09° 32' 38" W ~ 76.22'
- (J) N 00° 40' 43" W ~ 96.59'
- (K) N 07° 14' 15" W ~ 120.12'
- (L) N 16° 22' 13" W ~ 20.37'
- (M) N 16° 37' 21" E ~ 109.34'
- (N) N 01° 42' 33" W ~ 16.14'

NOTES:
 BEARINGS BASED ON TRUE NORTH
 AS DETERMINED BY SOLAR
 OBSERVATION.

REFERENCE
 C.I.S.S. # 9615A, STEWART,
 7-2-96.

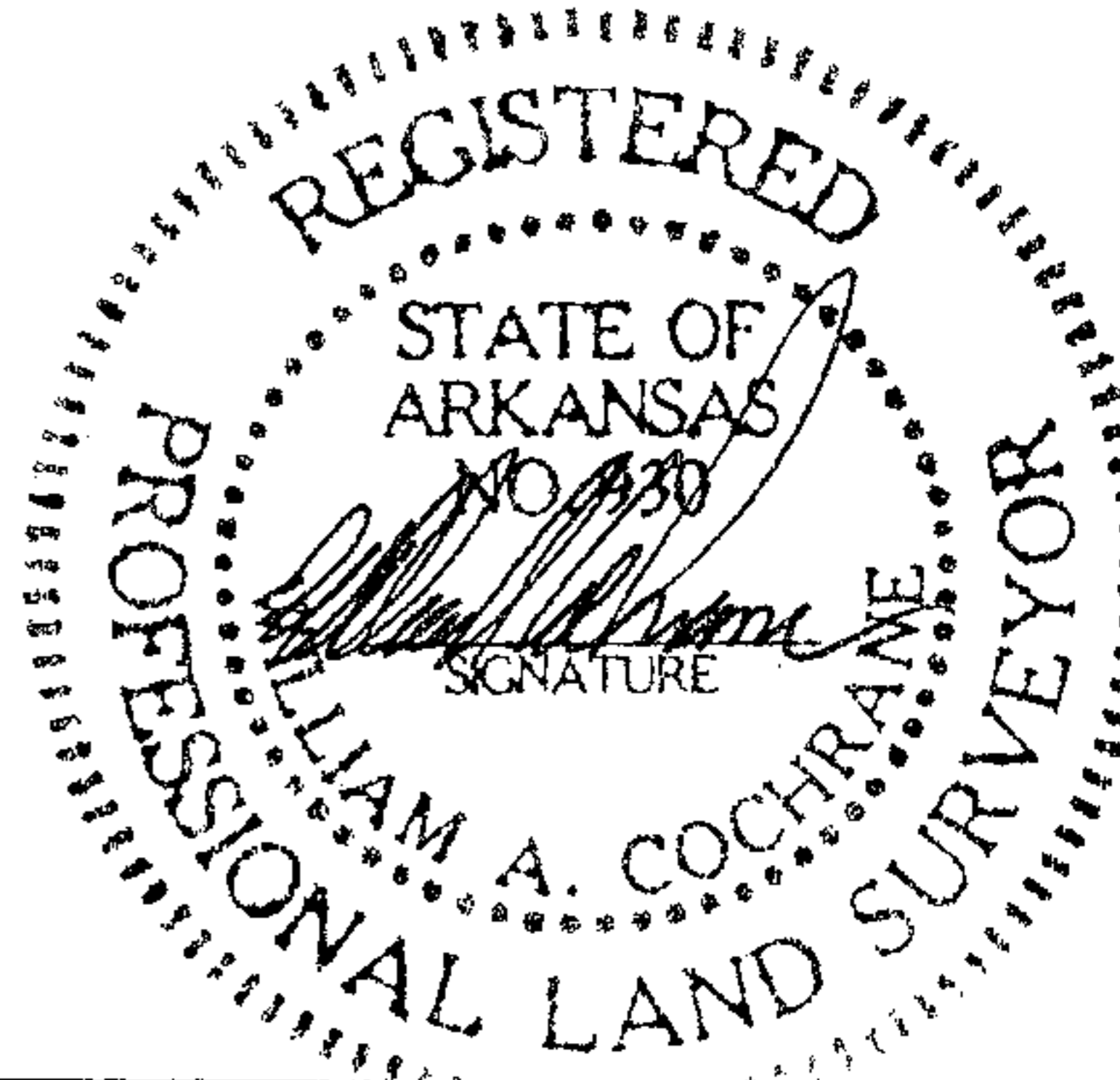
LEGEND
 • SET "18" REBAR
 ○ Fd. MONUMENT AS NOTED.



SURVEYOR'S CERTIFICATION

I, CERTIFY THAT, UNDER MY SUPERVISION,
 THE ABOVE PLATTED AND DESCRIBED PROPERTY
 WAS SURVEYED AND THE MONUMENTS SET AS
 SHOWN, TO THE BEST OF MY KNOWLEDGE AND
 ABILITY.

William A. Cochrane
 WILLIAM A. COCHRANE PROF. LAND SURVEYOR.



NOTE:
 THIS PLAT REPLACES PLAT FILED IN
 BK. 9 PAGE 2, DATED 7-2-96.

FILING RECORD
 .500-16N-22W-0-33-340-51-0930.

COCHRANE LAND SURVEYING SERVICES
 1406 HWY. 65 N.
 HARRISON, AR 72601
 (501) 741-2492

DATE • NOV. 15, 1996
 PROJ. NO. • 96154 REV.
 FIELD BOOK NO. • 2296
 CREWCHIEF • MJ
 CREWMEN • JB
 DRAWN BY • VLC

SURVEY FOR: JIM STEWART
 PT. NW'14 SW'14 SECTION 33, T.16 N.,
 R.22 W., NEWTON CO., ARKANSAS
 40.25 Ac.